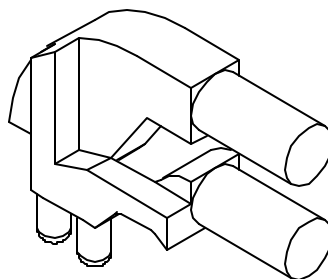
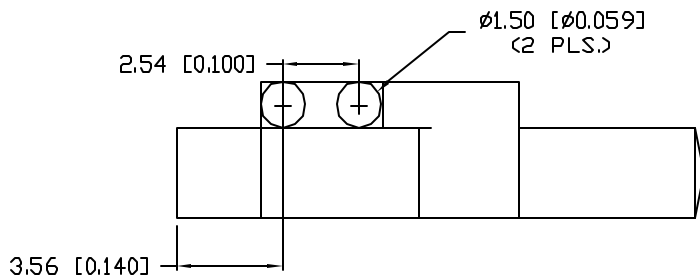
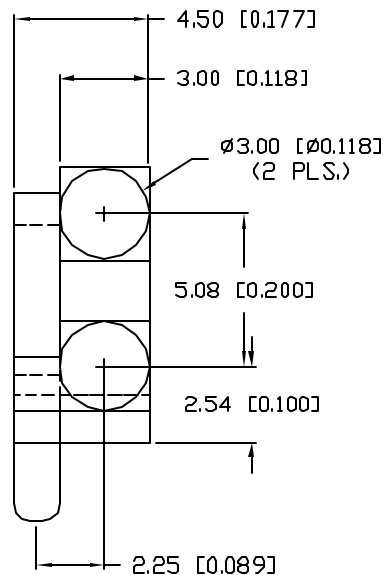
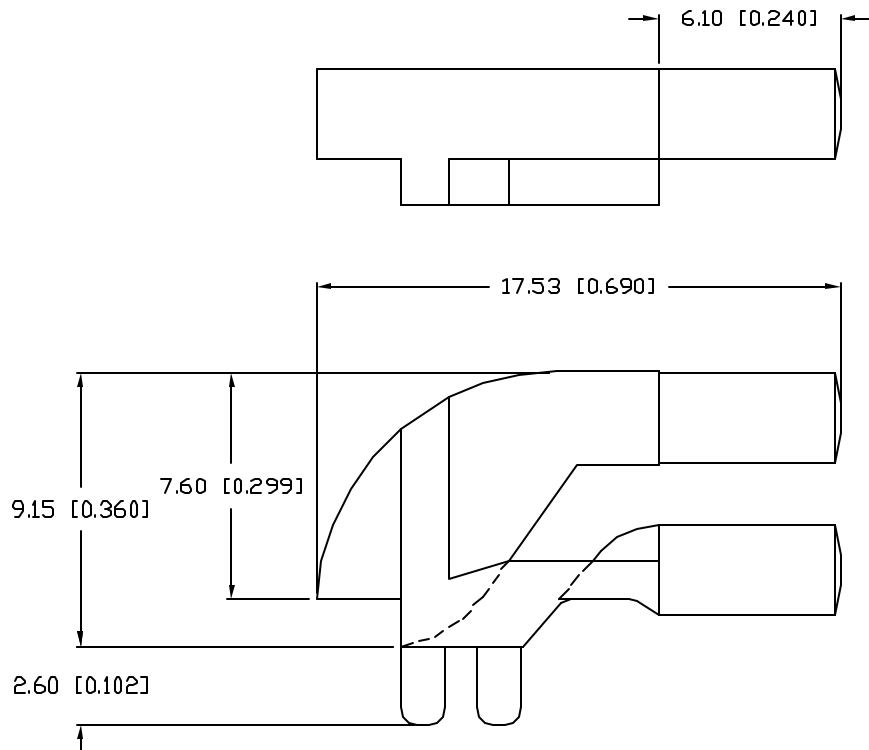


UNCONTROLLED DOCUMENT

PART NUMBER
LPF-C012303S

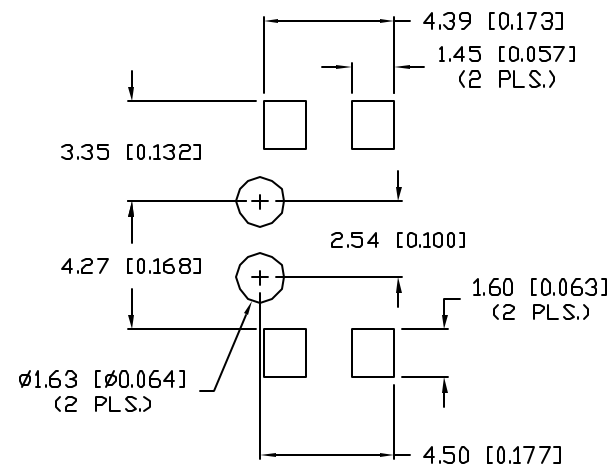
REV.



NOTES:

1. MATERIAL: CLEAR POLYCARBONATE, UL94V-0.
2. TEMP RANGE: -60°C TO +125°C.
3. RECOMMENDED LED: SML-LX23 SERIES.

RECOMMENDED SOLDER PAD LAYOUT



UNCONTROLLED DOCUMENT

*UNLESS OTHERWISE SPECIFIED TOLERANCES PER DECIMAL PRECISION ARE: X=±1 {±0.030}, XX=±0.5 {±0.020}, XXX=±0.25 {±0.010}, XXXX=±0.127 {±0.005}. LEAD SIZE=±0.05 {±0.002}, LEAD LENGTH=±0.75 {±0.030}. MIN.=^{+DECIMAL PRECISION}_{-0.00} MAX.=^{+0.00}_{-DECIMAL PRECISION}

REV.

PART NUMBER
LPF-C012303S

3mm DUAL TOWER, RIGHT ANGLE BEND,
SMT LIGHT PIPE.

CONFIDENTIAL INFORMATION

THE INFORMATION CONTAINED IN THIS DOCUMENT IS THE PROPERTY OF LUMEX INC. EXCEPT AS SPECIFICALLY AUTHORIZED IN WRITING BY LUMEX INC., THE HOLDER OF THIS DOCUMENT SHALL KEEP ALL INFORMATION CONTAINED HEREIN CONFIDENTIAL AND SHALL PROTECT SAME IN WHOLE OR IN PART FROM DISCLOSURE AND DISSEMINATION TO ALL THIRD PARTIES.

RELIABILITY NOTE

OUR MANY YEARS OF EXPERIENCE DATA ACCUMULATION INDICATE THAT SOLDER HEAT IS A MAJOR CAUSE OF EARLY AND FUTURE FAILURE. PLEASE PAY ATTENTION TO YOUR SOLDERING PROCESS.



290 E. HELEN ROAD
PALATINE, IL 60067-6976
PHONE: +1.847.359.2790
US WEB: www.lumex.com
TW WEB: www.lumex.com.tw

DRAWN BY:

BC

CHECKED BY:

APPROVED BY:

DATE: 8.7.02

PAGE: 1 OF 1

SCALE: N/A